



Model # MXB 400 Boiler Technical Specifications



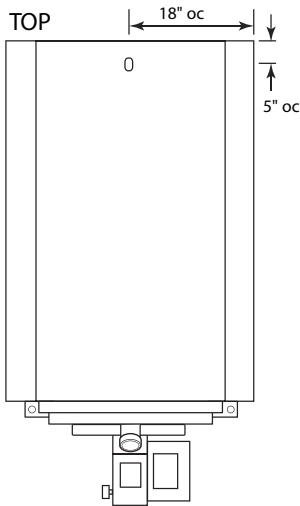
The Lanair MX Series boiler is designed for applications requiring a compact hydronic boiler. Cast iron sections are fully assembled. The rugged swing door exposes all heating surfaces for direct visual inspection and facilitates maintenance. Circular water backed furnace design requires no refractory combustion chamber. The supply manifold speeds installation and simplifies placement of controls.

Design Features

- Cast Iron Boiler Sections - fully assembled
- Cast Iron Push Nipples and woven glass rope between sections
- Exclusively designed for forced hot water circulation which minimizes thermal shock
- Powder Coated Textured Insulated Jacket
- 10 year limited warranty
- Built in accordance with the requirements of the ASME Boiler and Pressure Vessel Code



#MH14518

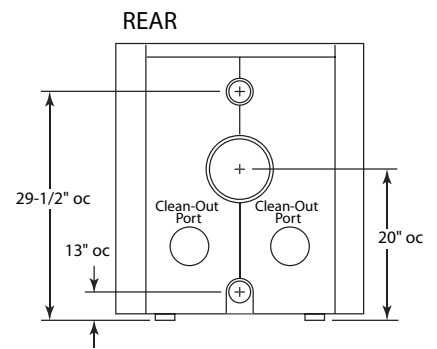
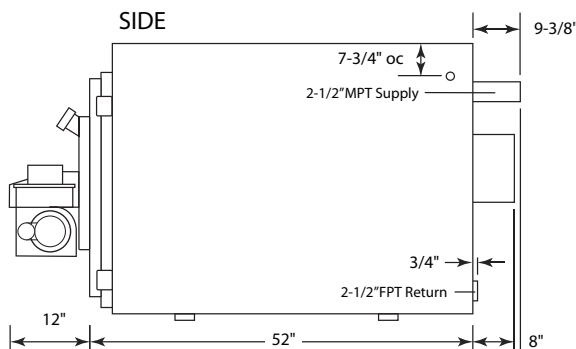
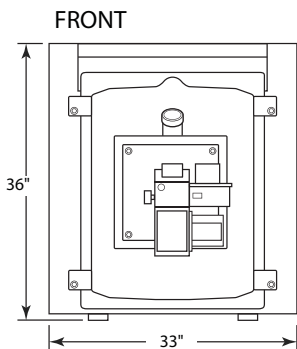


Boiler-Performance Ratings

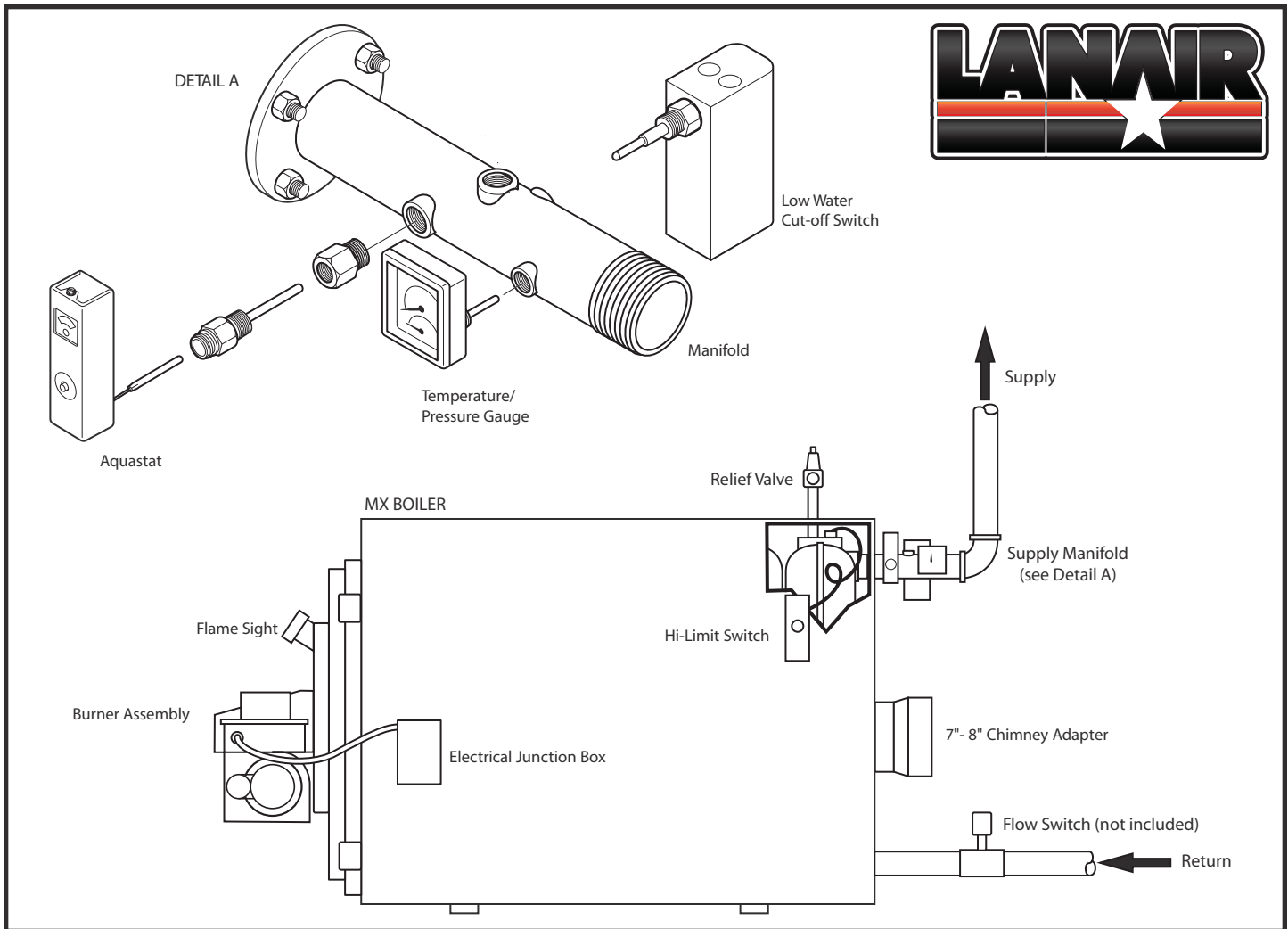
Burner Fuel Cons.	2.86 GPH	Approx. Dry Weight	1,900 lbs.
Input	400,000 BTU	Vent Connect	8" dia.
Output Capacity	338,000 BTU	Water Content	28.2 gal.
Net Rating -		Max Oper. Water Pressure	75 PSI
Water BTU/HR	364,000		

Burner Performance Ratings

Voltage	115 vac	Oil Primary	0.2 amps
Cycles	60 hz	Pre-Heater Block	2.6 amps
Total Operating Amperage	4.9	Ignitor Transformer	0.3 amps



*** NOT FOR RESIDENTIAL USE**



The MXB-400 Boiler Kit* Includes:

- Fully assembled boiler block with insert (installed)
- Powder coated texture jacket
- Boiler core insulation
- Complete Lanair MXB Burner assembly
- Secondary Air Filter/Regulator
- Oil filter, oil pressure gauge, oil supply line relief valve, and regulator assembly, plumbing kit
- Instruction Manual
- Supply and return manifold, gaskets, 3/4" x 6" pipe, mounting studs, washers and nuts
- Return diffuser and gaskets
- Two (2) 3/4" male x female extension couplings for optional controls
- High Limit with 3/4" well and capillary clip
- Temperature/Pressure Gauge
- Relief Valve assembly
- Flame sight assembly
- Four (4) spacers to secure back jacket panel
- Burner mounting hardware
- 1" to 3/4" reducer
- Low Water Cut Out
- 7-8" Chimney Adapter

* Additional parts will be required based on individual system design.

Code Requirements

This boiler must be installed by a licensed HVAC/Hydronic contractor. Installer should be trained and thoroughly familiar with the installation and operation of oil-fired boilers.

Installation must comply with all state, local and utility codes, laws, regulations and ordinances. When required, installations must conform to A.S.M.E. safety code for controls and safety devices for automatically fired boilers No. CSD-1.

All electrical wiring must be done by a licensed electrician in accordance with the National Electrical codes latest edition and all state and local codes.

*** NOT FOR RESIDENTIAL USE**